

Concealed wall elbow -

35 085 970

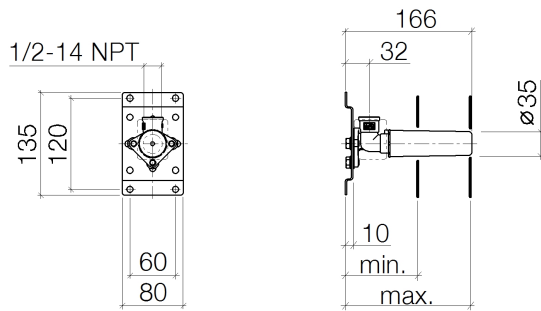


- red brass, lead-free
- female thread 1/2" connection
- 1x female thread 1/2" outlet
- dust cover
- anti-water packing
- soundproofing



Concealed wall elbow -

35 085 970



	min	max
CL_1	90	163
Deque	90	163
Domicil	90	163
Gentle	90	163
IMO	90	163
Lissé	90	163
MEM	90	163
Symetrics	90	163
Vaia	90	163

Codes & Standards

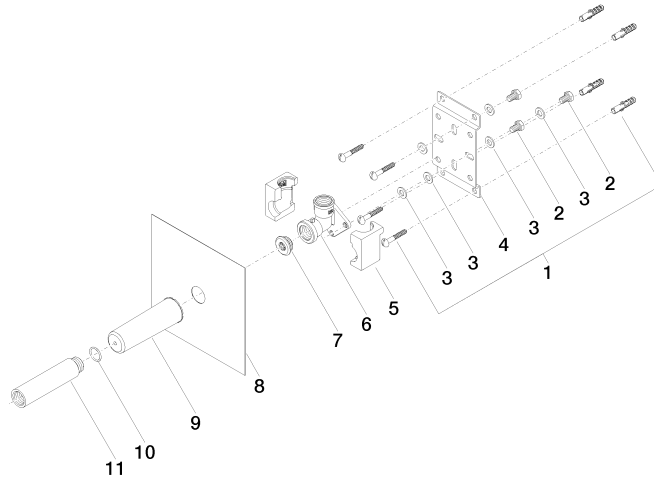
ASME
A112.18.1/CSA
B125.1

Certificates

IAPMO_N-4976 (2). IAPMO_4976 (3). IAPMO_6397 (1).

Concealed wall elbow -

35 085 970



Spare parts list

No.	Item Number	Name	Quantity used	Delivery time
1	04 30 31 024 01 90	fixing set	2	2
2	09 30 30 152 90	screw	3	2
3	09 30 11 139 90	disc	6	2
4	09 17 20 094 90	holder	1	2
5	09 11 11 036 90	accessories	1	2
6	09 11 03 042 10 90	connection	1	60
7	04 31 20 006 00 90	plug	1	2
8	04 14 03 072 01 90	gasket kit	1	2
9	09 21 02 102 90	cap	1	2
10	90 14 10 010 00 90	seal	1	2
11	09 24 03 169 10 90	adaptor	1	2